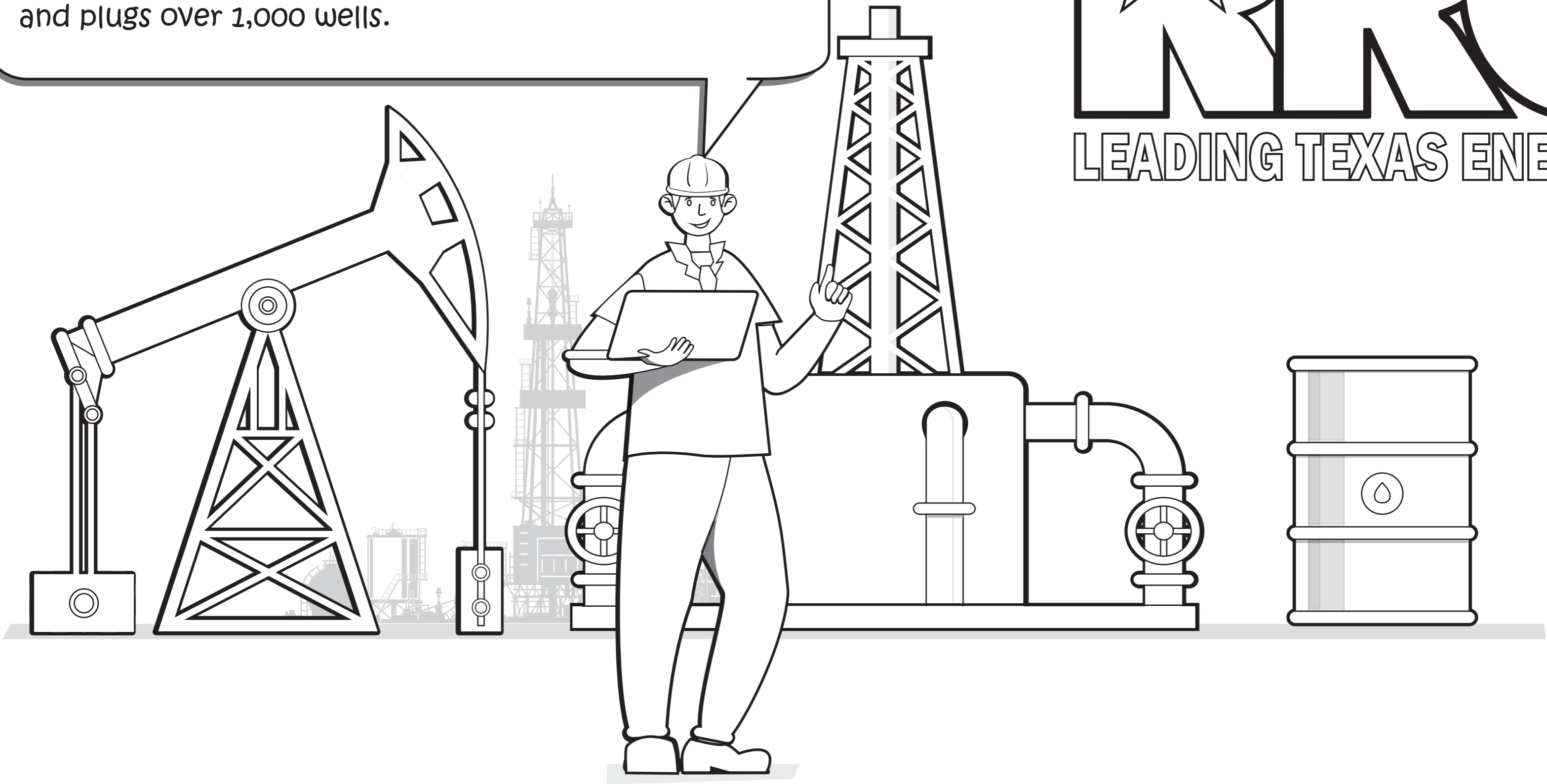
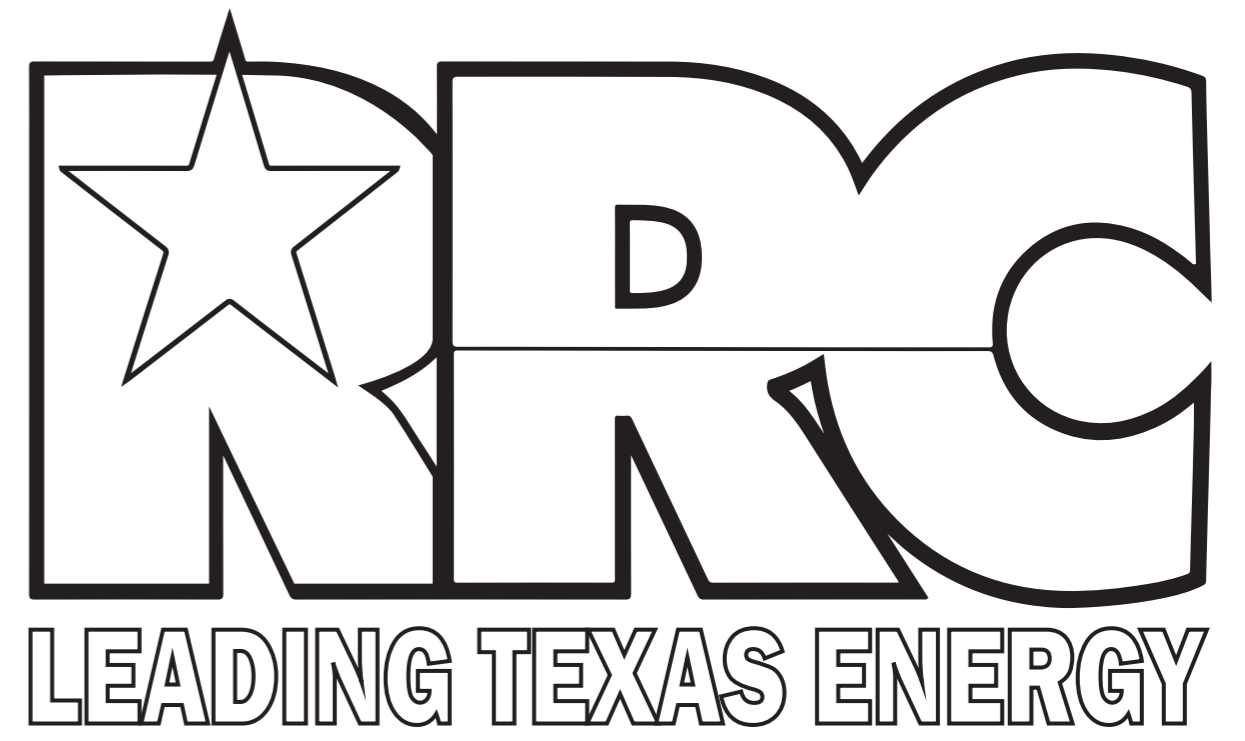
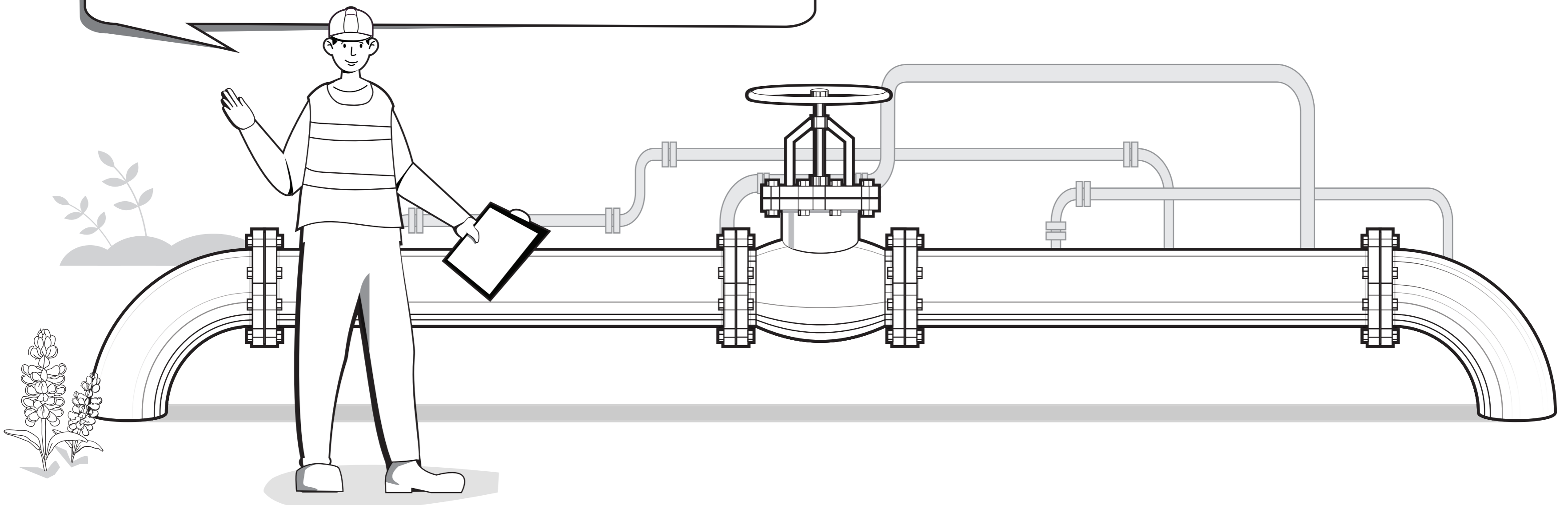


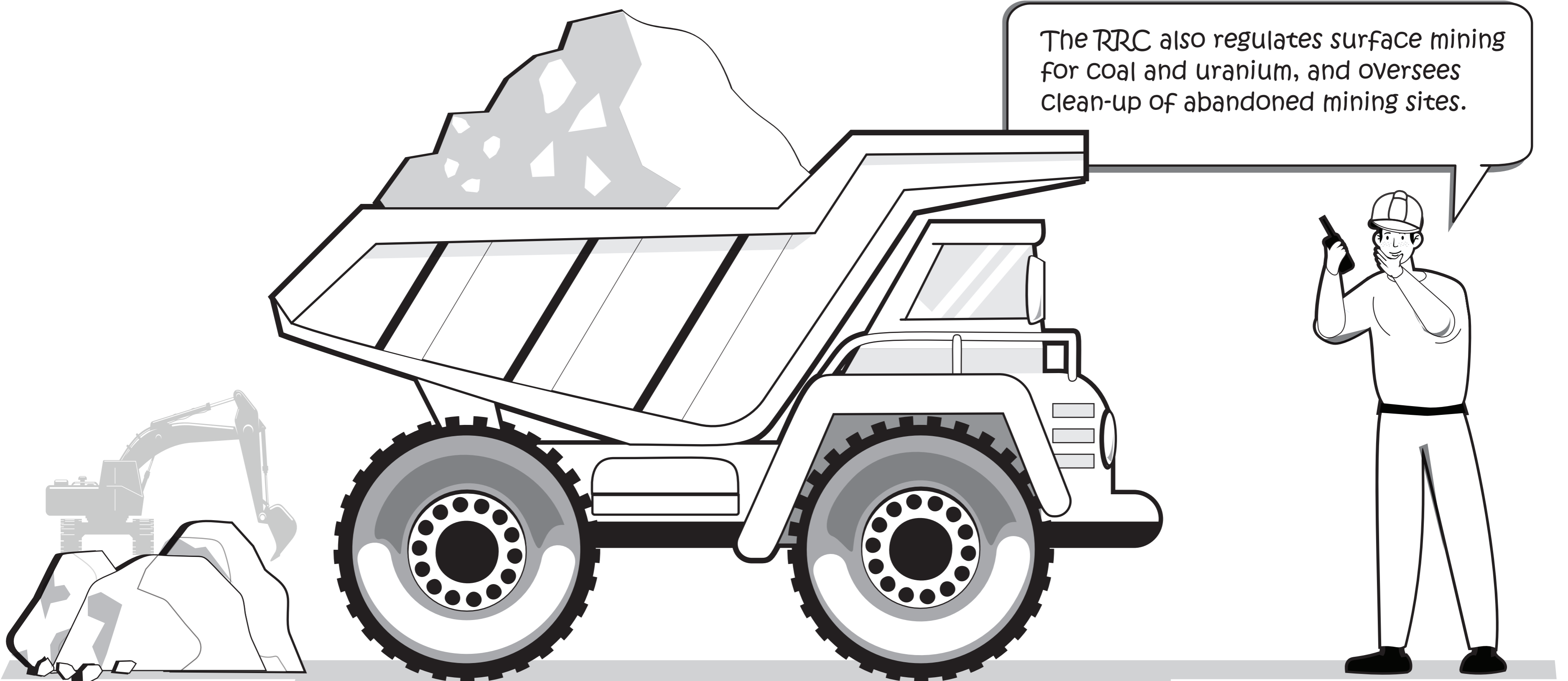
Every year the RRC conducts more than 300,000 inspections, processes more than 17,000 drilling permit applications, and plugs over 1,000 wells.



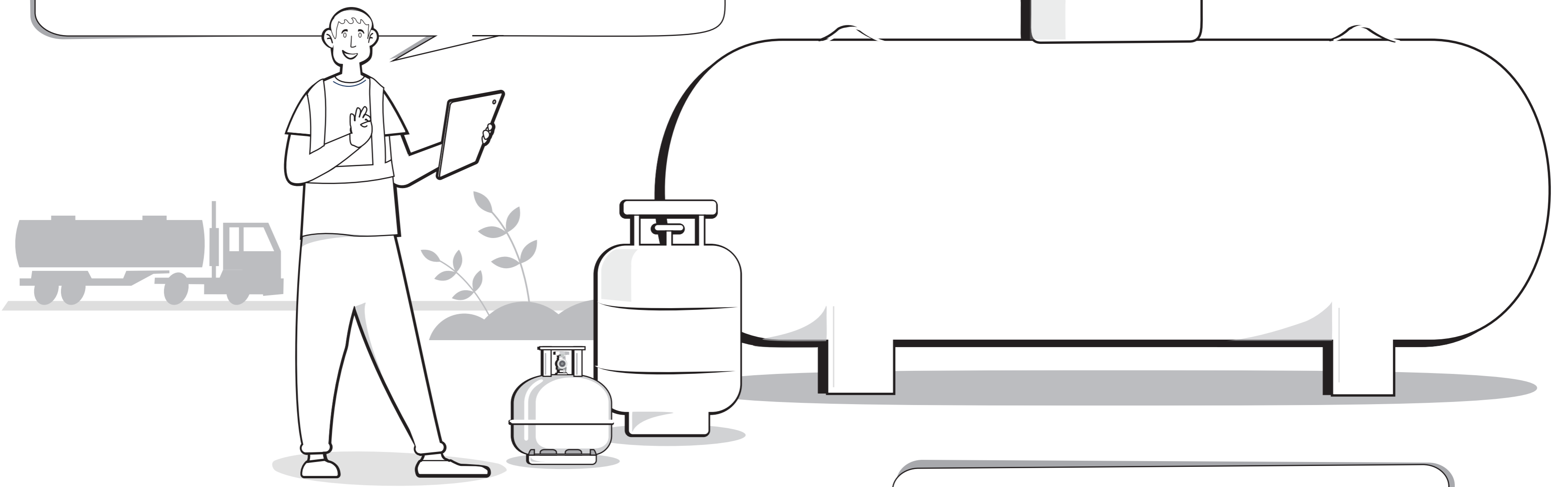
RRC inspects over 800 Pipeline systems a year, which is nearly 143,500 total miles of pipeline statewide.



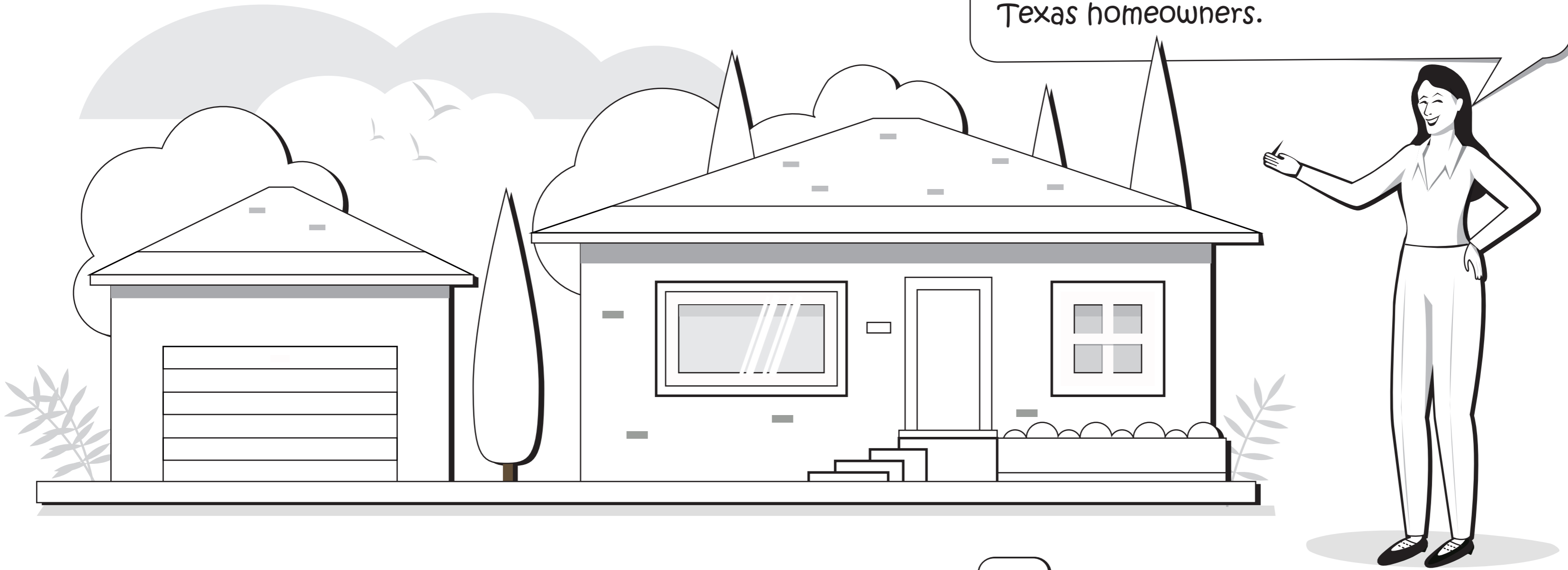
The RRC also regulates surface mining for coal and uranium, and oversees clean-up of abandoned mining sites.



Alternative Fuels oversees the transportation and storage of fuels such as propane, liquified natural gas and compressed natural gas. They perform over 19,000 inspections each year.



Our Gas Services Market Oversight helps to ensure that gas prices are fair for both the gas company and Texas homeowners.



Critical Infrastructure inspectors help to make sure that we have adequate gas supply to continue generating electricity in extreme heat and cold.

